



SDDirectPro

A Reliable Power Solution Provider

GB12-200 (12V200Ah)

General Purpose AGM Battery-GB Series



SPECIFICATION

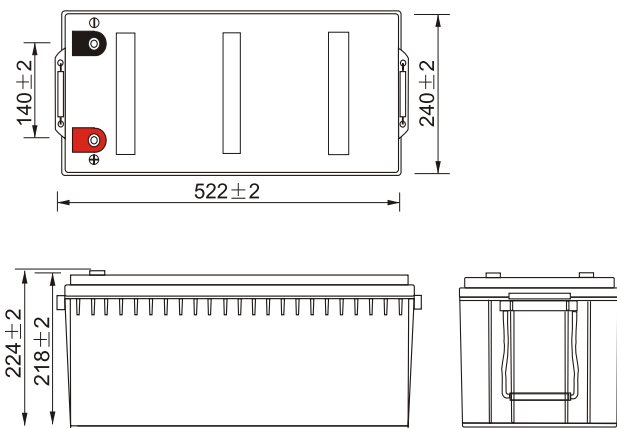
Nominal Volatage:	12	V
Nominal Capacity:	200	Ah (C20@25°C)
Dimension(mm):	L 522	W 240 H 218 TH 224
Weight:	60.5	Kg
Rated Capacity	C20	204 Ah (10.2A 20 Hr,1.80V/cell)
	C10	200 Ah (20A 10 Hr,1.80V/cell)
	C1	130 Ah (130A 1 Hr,1.60V/cell)
15min Power	4285	W @9.6V
Container Material:	ABS to UL94 HB (Optional UL94V-0 Flame Retardant Jars Available)	
Internal Resistance:	Approx 2.5mΩ	
Operation Temperature Range	Discharge:	-20°C ~ +60°C (-4~140°F)
	Charge:	-10°C ~ +60°C (14~140°F)
	Storage:	-20°C ~ +60°C (-4~140°F)
Recommended Temp.:	15°C ~25°C (59~77°F)	
Charge Method	Float Voltage	13.5~13.8V @25°C, Temperature coefficient -18mV/°C
	Cycle Voltage	14.4~15.0V @25°C. Initial charge current less than 0.36A, Temperature coefficient -24mV/°C
	Capacity affected by temperature	40°C
	25°C	100%
	0°C	86%
	-15°C	65%
Self Discharge	<3%, The series stored at 25°C require a supplementary charge every six months, the charging interval would shrink when the ambient temperature went higher	
Design Life @20°C	10 Years	

APPLICATION

- All purpose
- Electric Power System (EPS)
- Emergency lighting
- Railway signal , Aircraft signal
- Power tools
- Alarm and security system
- Electronic apparatus and equipment
- Auto control system

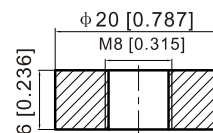
DIMENSION

Unit:mm [inch]



TERMINAL

Unit:mm[inch]





SDDirectPro

A Reliable Power Solution Provider

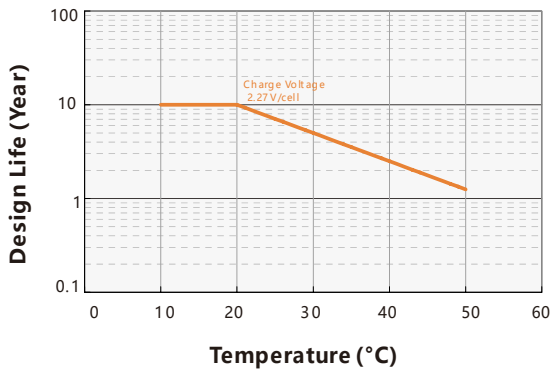
GB12-200 (12V200Ah)

General Purpose AGM Battery-GB Series

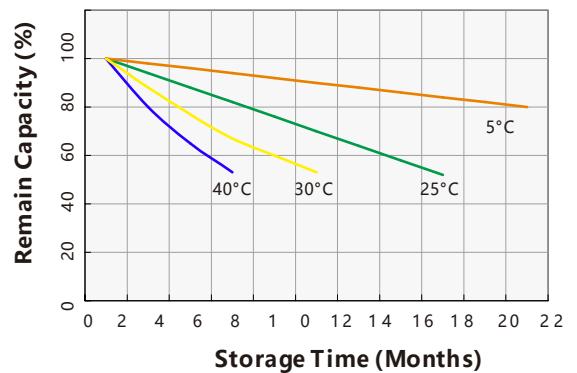
Constant Current Discharge (A) @25°C														
F.V/Time	5min	10min	15min	20min	30min	45min	1h	2h	3h	4h	5h	6h	10h	20h
1.80V/cell	446	354	325	267	201	145	113	79.4	54.9	42	34.1	28.4	20	10.2
1.75V/cell	509	401	336	273	206	150	118	81.5	56.4	43	34.9	29	20.1	10.4
1.70V/cell	564	425	346	281	210	154	121	83	57.3	43.7	35.3	29.2	20.1	10.4
1.65V/cell	640	460	357	290	217	159	126	84.6	58.5	44.8	36.1	29.8	20.2	10.5
1.60V/cell	655	471	366	297	222	163	130	86	59.6	45.6	37	30.2	20.3	10.6

Constant Power Discharge (W/cell) @25°C														
F.V/Time	5min	10min	15min	20min	30min	45min	1h	2h	3h	4h	5h	6h	10h	20h
1.80V/cell	1096.2	863.7	714.2	585.3	441.8	310.5	250.8	152.83	111.33	87.33	72.00	61.50	39.17	21.50
1.75V/cell	1071.2	842.0	710.7	581.8	429.5	301.2	246.3	148.83	110.00	85.33	70.00	60.50	39.00	21.33
1.70V/cell	940.5	774.8	661.0	529.2	392.0	279.0	222.7	139.50	103.00	80.50	66.83	55.50	37.00	21.33
1.65V/cell	848.7	731.7	641.8	514.2	384.7	272.3	216.0	136.83	101.33	79.17	66.00	55.17	36.83	21.33
1.60V/cell	693.7	646.0	620.8	502.8	375.5	262.2	207.7	133.33	98.67	77.33	64.67	54.17	36.67	21.33

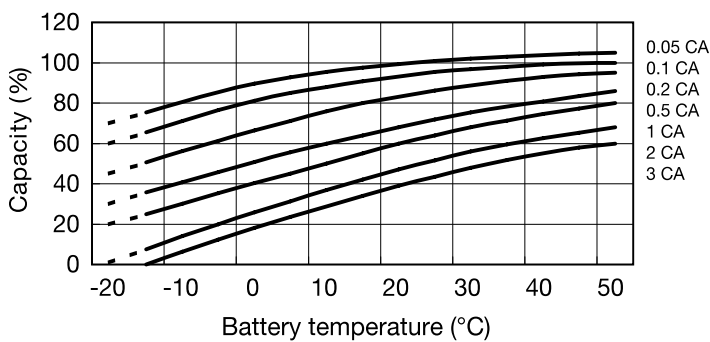
Battery Life with Different Temperature



Self discharge with different Temperature



Capacity with Different Discharge Rate & Temperature



Charge Characteristics

